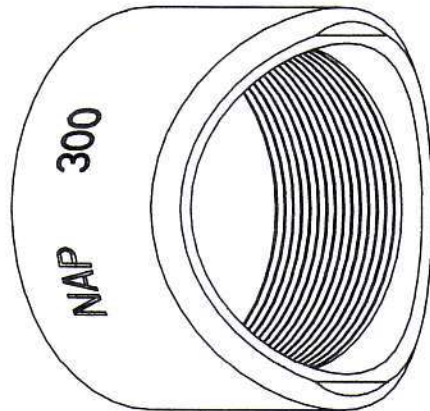


N.A.P. 300

WELDING OUTLETS FOR THE FIRE PROTECTION INDUSTRY

PRODUCED FROM DOMESTIC STEEL IN THE U.S.A.



The COMPLETE manufacturing of our outlet is done at our plant in Guntersville, Alabama. We specialize in products and machines for the fire protection industry.

Our fitting is designed with a narrow vee for fast one-pass welding and a thick wall to absorb heat without distortion. The part is polished and treated with a dry rust inhibitor for better welding and less smoke.

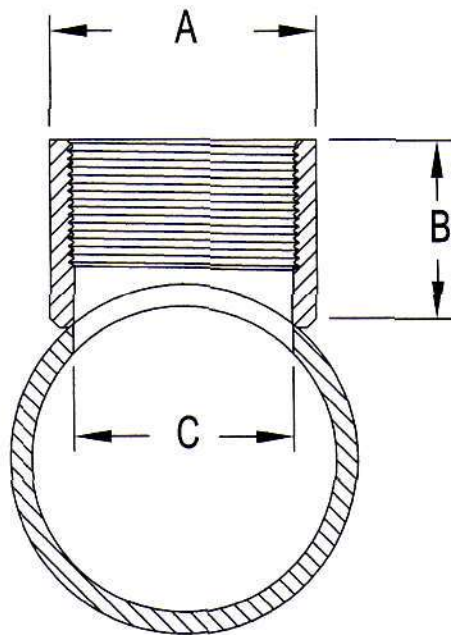
Factory
Mutual
System
Approved



UL LISTED
52 MO

North Alabama Pipe Corporation

P.O. Box 750 - 5010 Sword Street - Mt. Crest Industrial Park
Guntersville, Alabama 35976
256-582-8800
FAX 256-583-0233
WATTS 1-800-826-2533



N.A.P. 300
Factory Mutual Approved
UL Listed
Threaded Outlets for Welding

NOMINAL DIMENSIONS

Outlet Size	Run Size	A	B	C
1/2"	1 1/4 - 2 1/2	1.165	1.160	.686
1/2"	3 - 8	1.165	1.160	.686
3/4"	1 1/4 - 2	1.418	1.170	.880
3/4"	2 1/2 - 8	1.418	1.170	.880
1"	1 1/4	1.621	1.380	1.130
1"	1 1/2 - 2	1.621	1.380	1.130
1"	2 1/2 - 4	1.621	1.380	1.130
1"	5 - 8	1.621	1.380	1.130
1 1/4"	1 1/2	1.975	1.410	1.455
1 1/4"	1 1/2 - 2	1.975	1.410	1.455
1 1/4"	2 1/2 - 4	1.975	1.410	1.455
1 1/4"	5 - 8	1.975	1.410	1.455
1 1/2"	2	2.229	1.420	1.732
1 1/2"	2 1/2 - 3	2.229	1.420	1.732
1 1/2"	4 - 5	2.229	1.420	1.732
1 1/2"	6 - 8	2.229	1.420	1.732
2"	2 1/2	2.836	1.550	2.208
2"	3	2.836	1.550	2.208
2"	4 - 5	2.836	1.550	2.208
2"	6 - 8	2.836	1.550	2.208
2 1/2"	2 1/2	3.250	2.018	2.675
2 1/2"	3	3.250	2.070	2.675
2 1/2"	4	3.250	2.164	2.675
2 1/2"	6	3.250	2.240	2.675

Size	Carton Quantity	Carton Weight
1/2"	200	35#
3/4"	150	39#
1"	100	35#
1-1/4"	75	35#
1-1/2"	50	30#
2"	35	37#
2-1/2"	15	19#

North Alabama Pipe Corporation